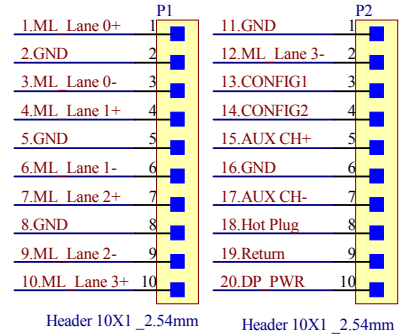
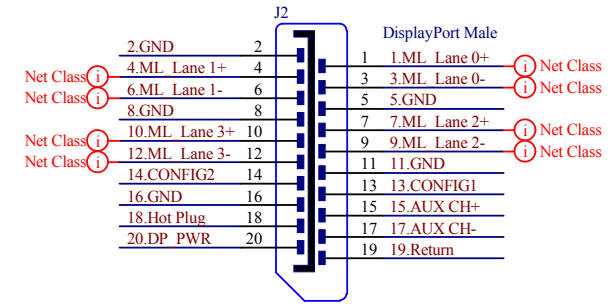
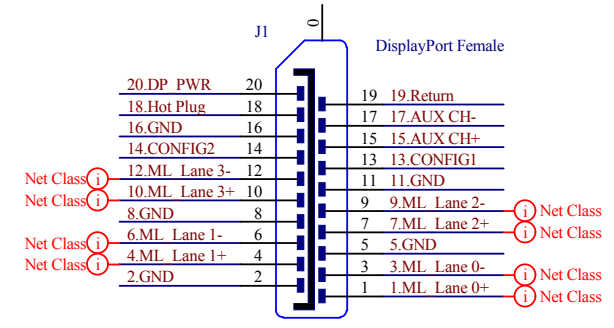
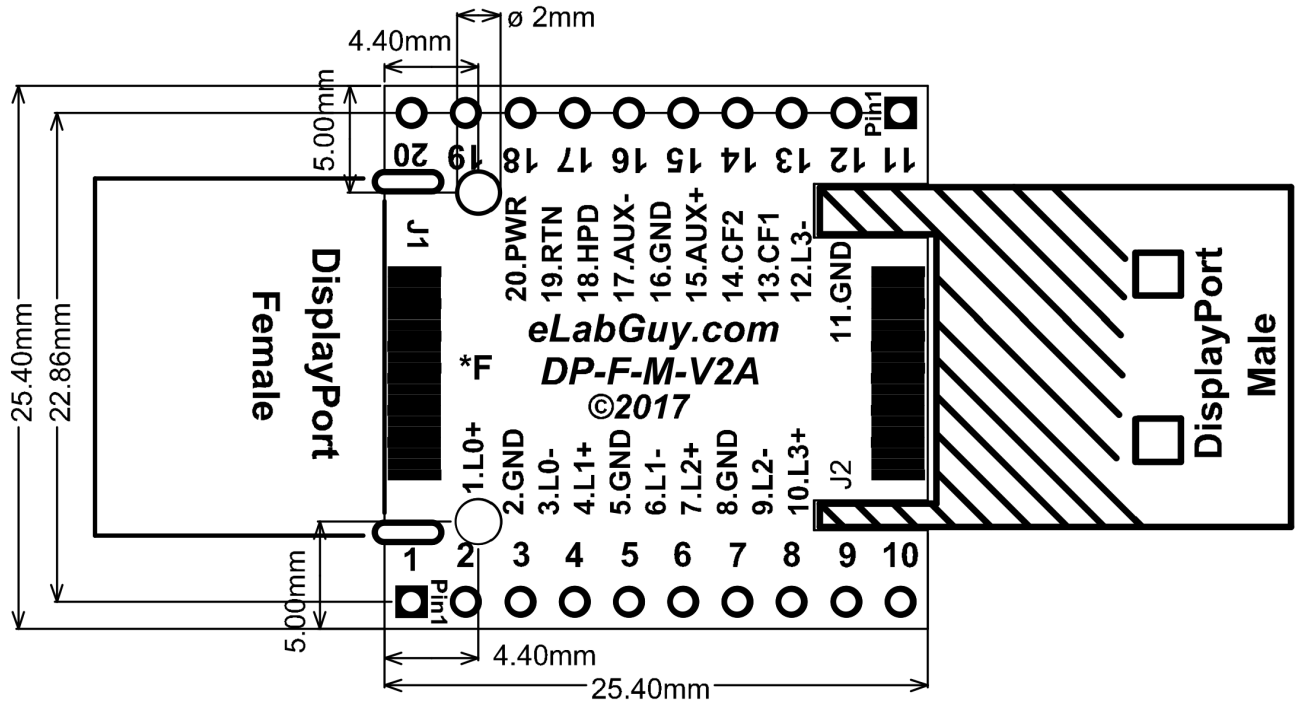


* PCB 1.60mm THICKNESS



Title			Displayport Female to Male Pass-Through		
Size	Number	Revision			
A4	DP-F-M-V1B			1B	
Date:	11/30/2017	Sheet of			
File:	C:\Users\...DP-F-M-V1B Drawing.SchDoc Drawn By: www.eLabGuy.com				